

New STEBUL 700 Series Adjustable Height Cantilever Desk System

- Modular frame system designed with Italian flair and quality engineering built to survive the rigors of today's modern office.
- Available in single or multiple work stations this versatile desking system provides total flexibility to work place management.
- Conforms to European Quality & Performance standards - CATAS Approved.
- Quick on site installation complete with cable management, fittings & assembly instructions.
- Desk sizes from 800 mm to 1800 mm available. Single to Multiple Workstations.



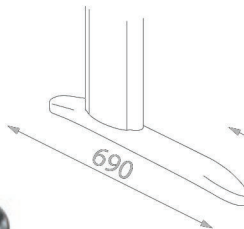


NT Foot Design

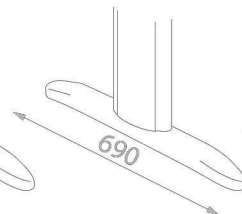


CR 2 Line Adjustable Leg Cover

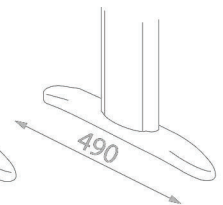
Cantilever



Central



Typing Desk



Modesty Panel



Demonstrative photo, the top is not supplied.

Sizes
800x320 mm
1200x320 mm
1400x320 mm
1600x320 mm
1800x320 mm

Support Legs



Telescopic support leg 2 o 3.

REF.	ANGLE	WAYS	H
7T80-2A	90°	2	595/795 mm
7T80-2B	120°	2	595/795 mm
7T80-2C	150°	2	595/795 mm
7T80-3A	90°	3	595/795 mm
7T80-3B	120°	3	595/795 mm

Other Accessories



Intermediate Cover



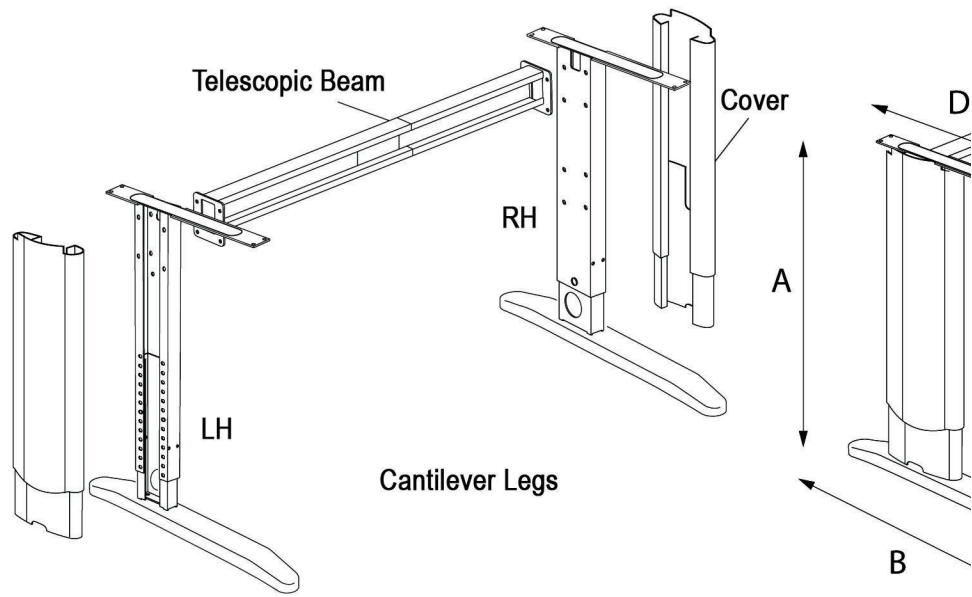
Peninsula Support



Through Beam

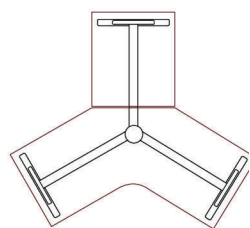
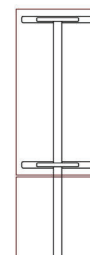
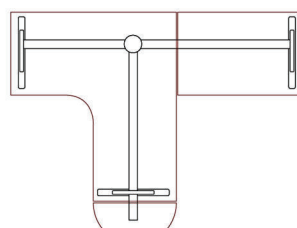
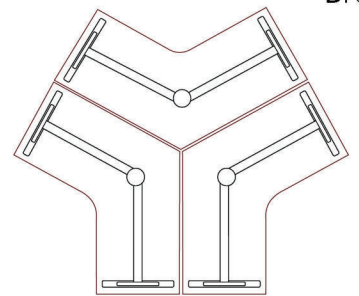
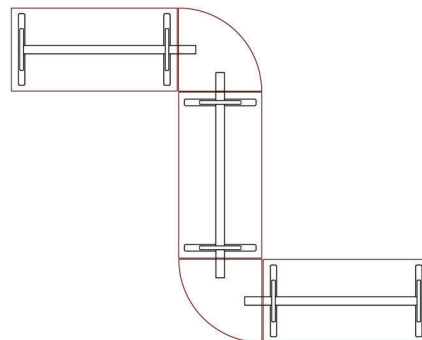


Junction Bracket & CPU Holder



SERIES	LEG STYLE	FOOT DESIGN	TELESCOPIC BEAM	COLOUR	COVER STYLE	COVER COLOUR	A
700	Ca	NT	800/1200 mm	Silver	CR	Silver	600 m
	Ce		1200/1800 mm				795 m
	Ty						

Some different combinations of frames



A: fram
B: foot
C: wor
D: upp